



## Characteristics

**NTG is an inline axial type pump, from DN150 up to DN200, manufactured in EN-GJL-250 or EN-GJS-400 Cast iron with IP56 protection.**

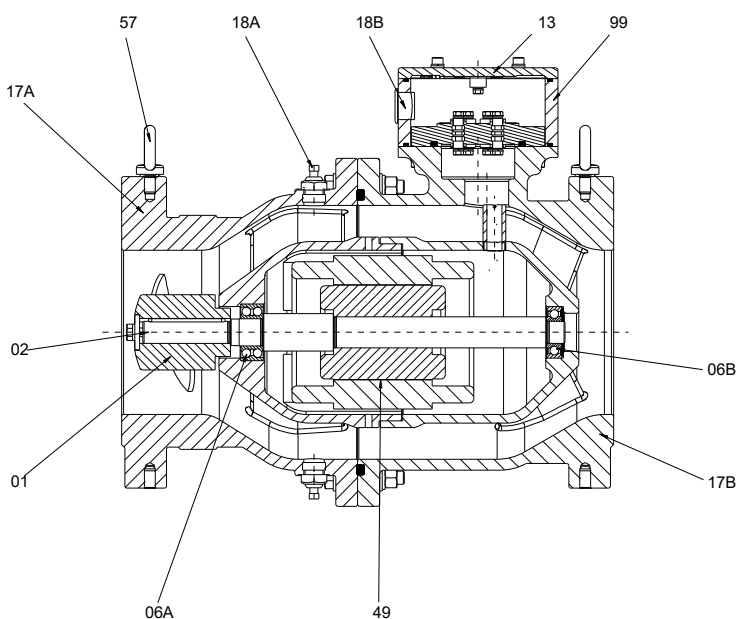
NTG pumps perform with low noise levels, measured on free-field hemispherical surface and validated at our laboratory.

The pumps are supplied, as standard, with C5 H surface treatment (high durability - 320 µm) according to ISO 12944:2018. They can be installed horizontally or vertically, with terminal box and drain/vent plugs position defined according to order. Flanges can be DIN or ISO PN10, raised or flat faced. They offer the possibility of having multiple motors of choice, either 4P or 6P, with hydraulic performance curves that will match the requirements of any project.

Parts	Materials
<b>Casing</b>	EN-GJL-250 or EN-GJS-400
<b>Impeller</b>	Aluminium Al Si10 Mg
<b>Shaft</b>	AISI420
<b>Terminal Box</b>	Aluminium Al Si10 Mg
<b>Screws</b>	A4 – AISI316

Electrical data	Specifications
<b>Power</b>	0,75 up to 3 kW
<b>Poles</b>	4/6
<b>Voltages</b>	3x400 VAC @ 50 Hz or 3x460 VAC @ 60 Hz

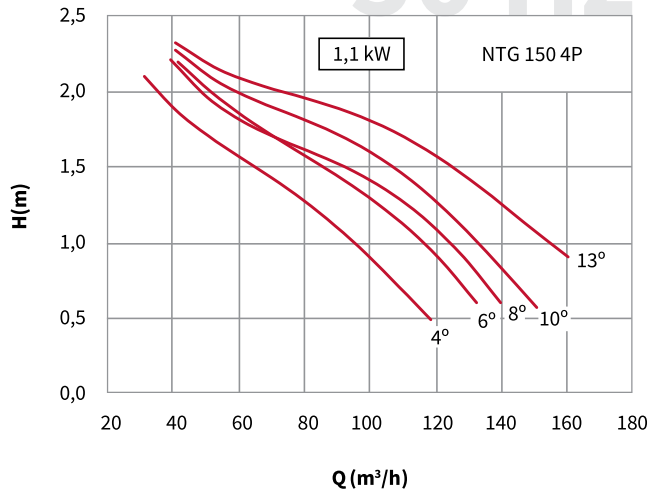
## Part list



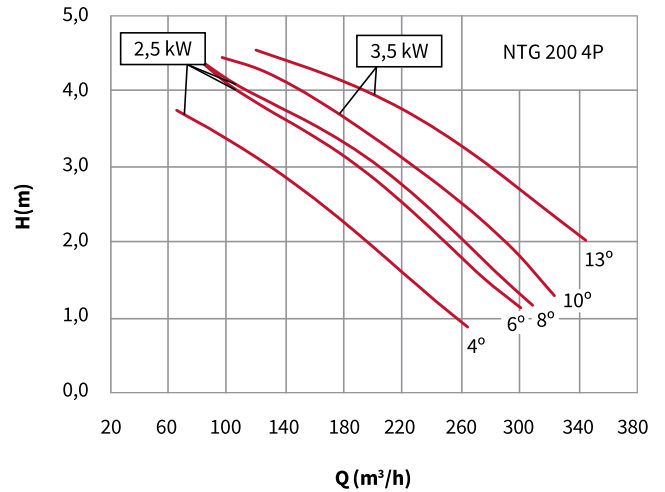
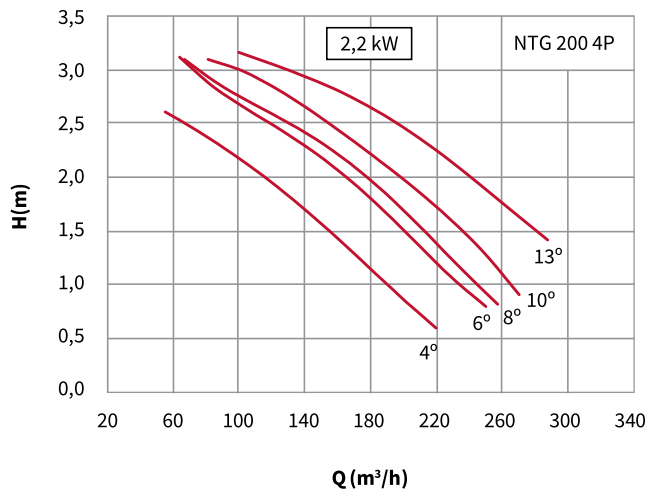
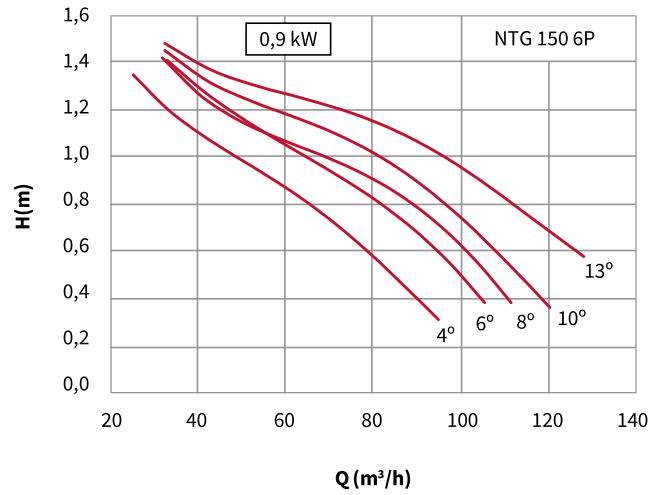
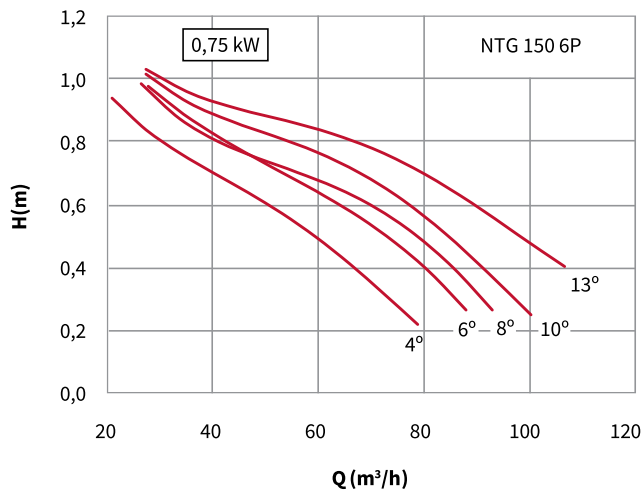
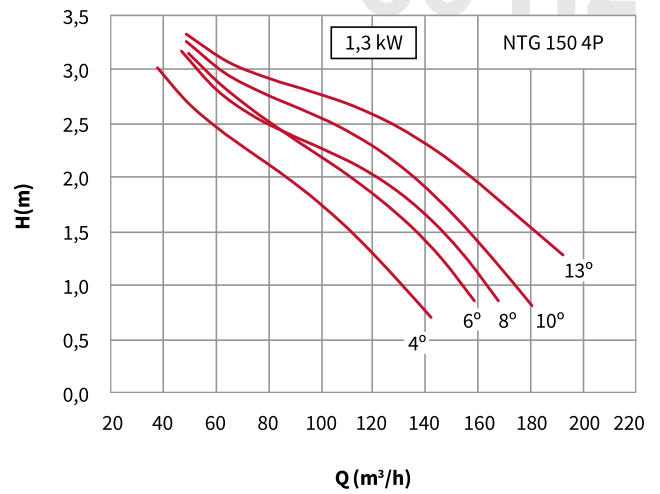
Part	Designation
<b>01</b>	Impeller
<b>02</b>	Shaft
<b>06A</b>	Bearing
<b>06B</b>	Bearing
<b>13</b>	Terminal box cover
<b>17A</b>	Suction casing
<b>17B</b>	Discharge casing
<b>18A</b>	Drain/ vent
<b>18B</b>	Cable gland
<b>49</b>	Motor
<b>57</b>	Eye bolt
<b>99</b>	Terminal box

Curves According to ISO 9906 Grade 2B/ EN 50216-7

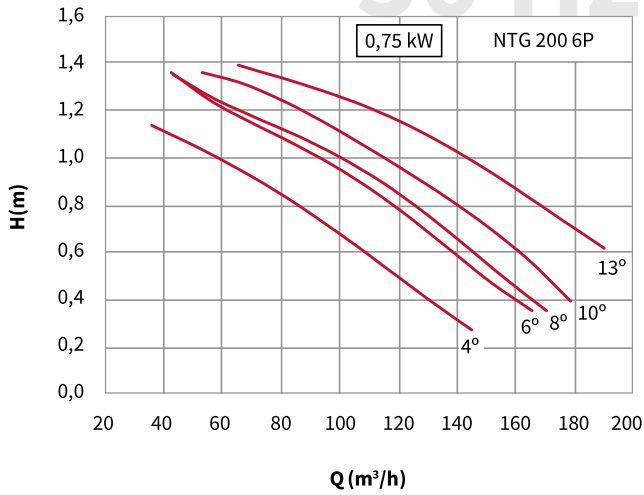
50 Hz



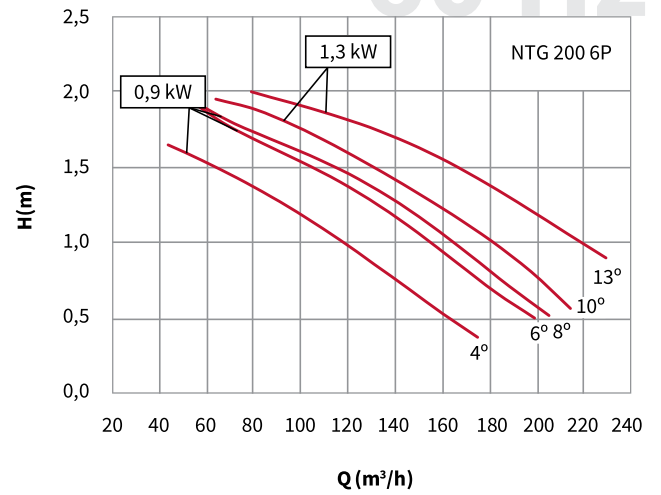
60 Hz



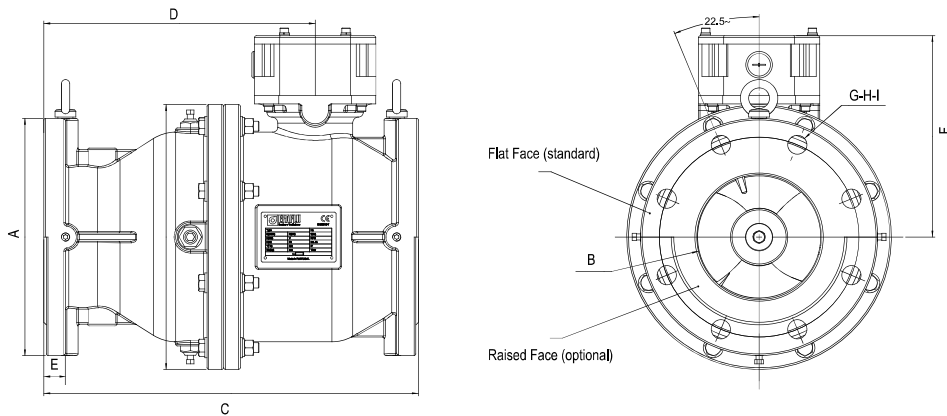
50 Hz



60 Hz



Dimensions (mm)



Pump	A	B	C	D	E	F	G	H	I	Weight (Kg)
NTG 150	285	150	450	326	26	242	8	23	240	80
NTG 200	340	200	548	408	26	274	8	23	295	115

Motor

Motor	Poles	Frequency (Hz)	Voltage (V)	Power (kW)	Cos Φ	Inom (A)	Ia (A)	Eff. class
0,75	6	50	400	0,75	0,67	2,1	9,5	IE3
		60	460	0,90	0,67	2,1	9,1	
1,1	4	50	400	1,1	0,72	2,6	14,8	
		60	460	1,3	0,72	2,6	14,2	
	6	50	400	1,1	0,67	2,9	15,1	
		60	460	1,3	0,67	2,9	14,5	
2,2	4	50	400	2,2	0,82	4,5	36,0	
		60	460	2,5	0,82	4,5	34,6	
3	4	50	400	3,0	0,78	6,4	51,8	
		60	460	3,5	0,78	6,4	49,8	